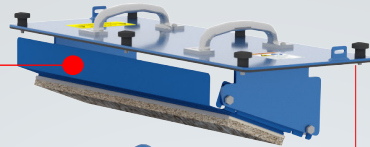




Series 6800L Automatic Sampler

Diverter Style Bulk Sampler
Large Spouts & High Flow Rates

Seal doors remove for easy access & inspection



Multiple Lining Options

Suitable for use below bulk weighting system

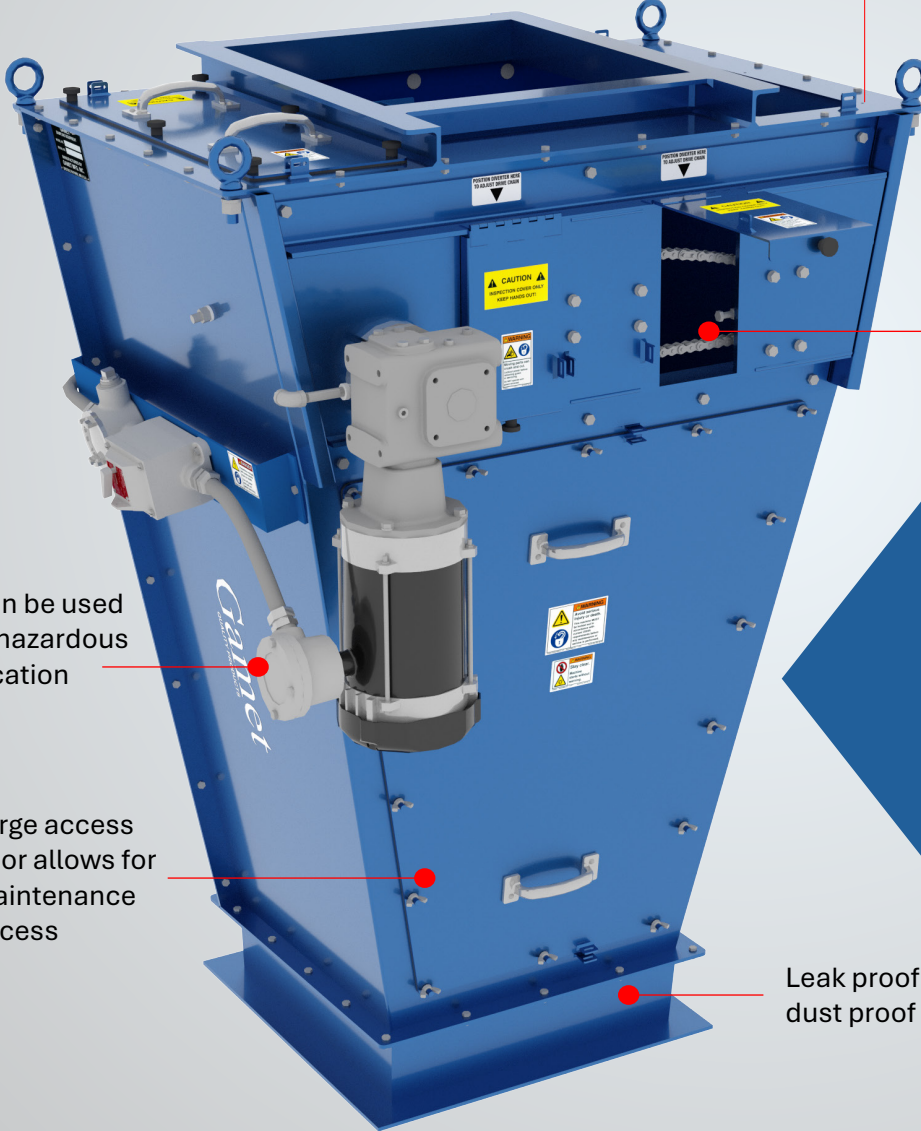
Access doors open to make chain drive adjustments easy

- Ideal for use with all grains.
- Accommodates spout size from 17" to 31" & flow rates from 20,000 to 76,000 BPH.
- Accessories available to create an integrated FGIS approvable system.

Can be used in hazardous location

Large access door allows for maintenance access

Leak proof & dust proof



Designed to Provide Years of Reliability

Gamet Manufacturing Inc.

Email: info@gametmfg.com

Toll Free: 888-647-5475

www.gametmfg.com

Mailing Address:

7400 Boone Ave N

Brooklyn Park, MN 55428

Series 6800L

Gamet®

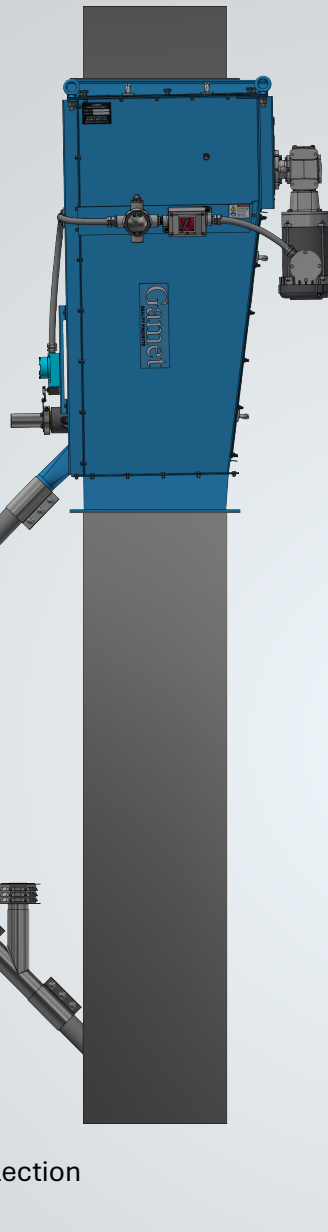
Vertical Application

Sampler Lining Options:

- Ceramic Tile
- Urethane
- Kryptane

Divider

Collection Box

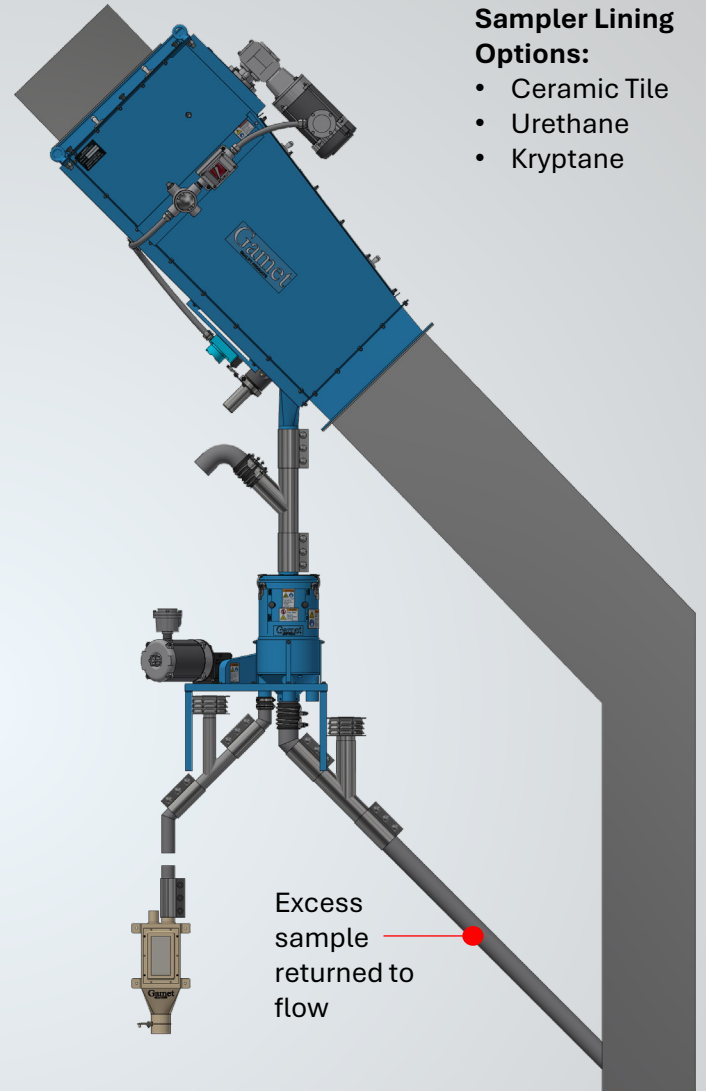


Angular Application

Sampler Lining Options:

- Ceramic Tile
- Urethane
- Kryptane

Excess sample returned to flow



The Gamet 6800L Spout Style Sampling System is ideal for applications that require official sampling grades. This system is designed for mid to high flow rates. Uses include rail, barge, or ship loading of grain or grain related products. Our engineers and sales team are available to review your specific needs and help you select the proper equipment and accessories for your application.

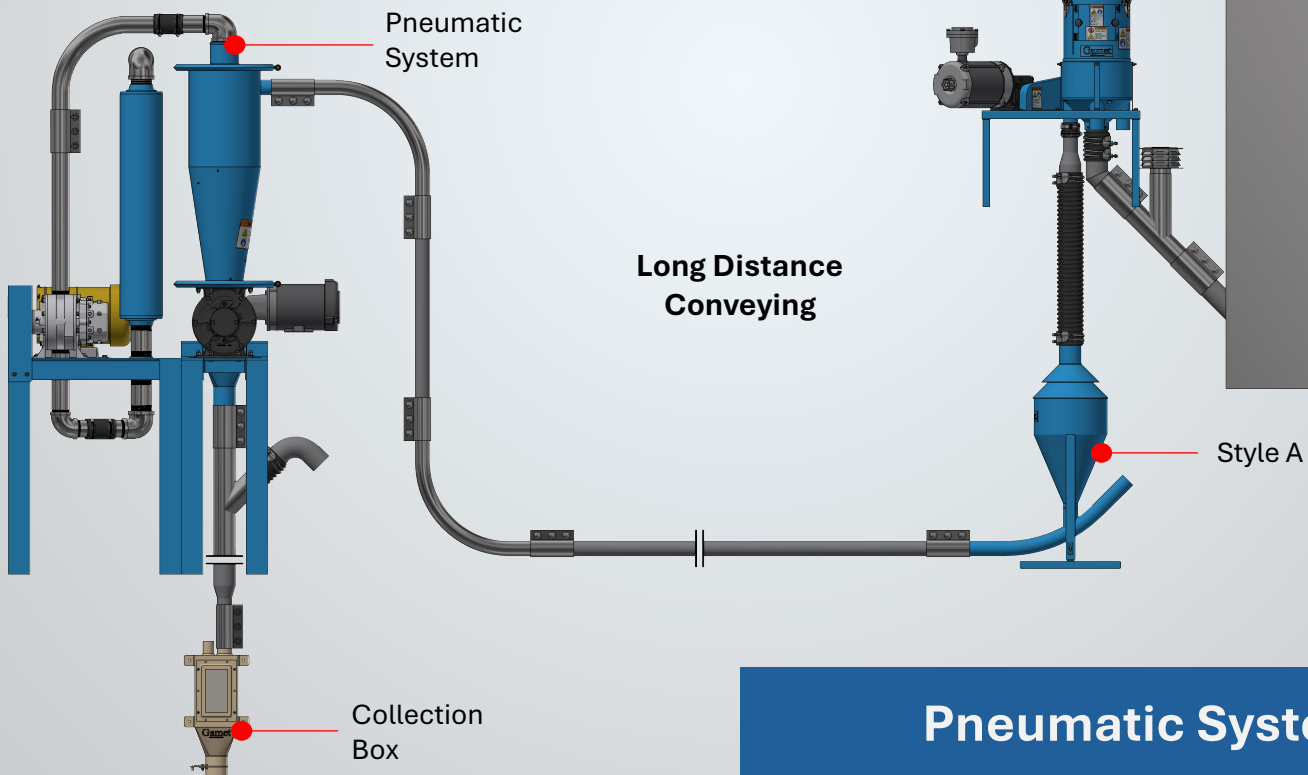


Series 6800L

System Accessories

Divider

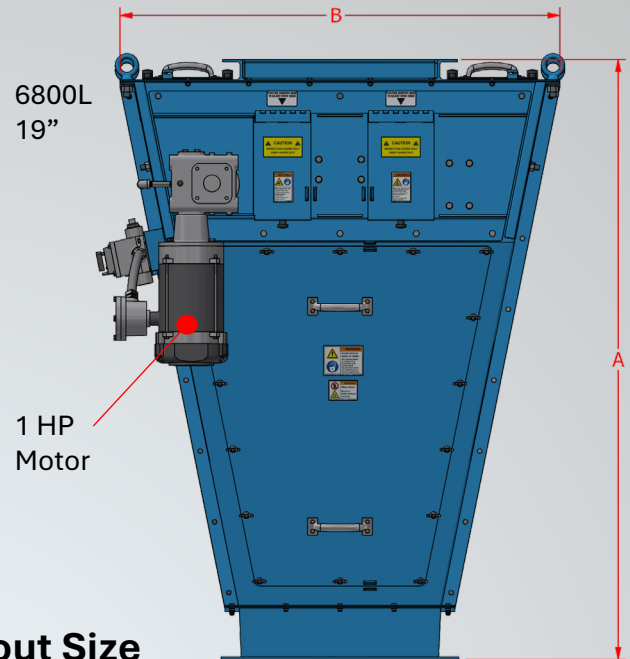
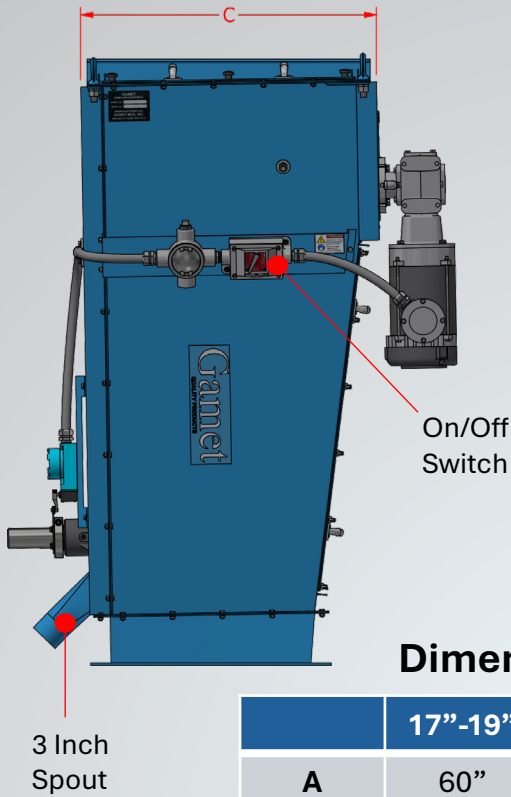
- Up to Four Discharge Spout Available.
- Reduces Sample to 4% of Throughput.
- Suitable for Use with all Grain & Meal Products.



Pneumatic System

- Convey Product Samples up to 800 ft.
- Variable Frequency Drive Available.
- Suitable for Use with all Grain & Meal Products.

Series 6800L



Dimension Data by Spout Size

	17"-19"	20"-22"	23"-25"	26"-28"	29"-31"
A	60"	64.25"	70"	76"	82"
B	44"	49"	55"	61"	67"
C	29.25"	32.25"	35.25"	38.25"	41.25"

Flow Rates by Spout Size

	17"	18"	19"	20"	21"	22"	23"
Angular TPH	566	635	708	784	864	949	1037
Angular BPH	20230	22680	25270	28000	30870	33880	37030
Vertical TPH	647	726	809	896	988	1084	1185
Vertical BPH	23120	25920	28880	32000	35280	38720	42320

	24"	25"	26"	27"	28"	29"	30"	31"
Angular TPH	1129	1225	1325	1429	1537	1648	1764	1884
Angular BPH	40320	43750	47320	51030	54880	58870	63000	67270
Vertical TPH	1290	1400	1514	1633	1756	1884	2016	2153
Vertical BPH	46080	50000	54080	58320	62720	67280	72000	76880

**Proudly
Made in
the USA**



Tons per hour (TPH) calculated on density of 48 lbs/cubic foot (Ton = 2,000 lbs)
Bushels per hour (BPH) calculated at 56 pounds per bushel.

Gamet Manufacturing Inc.

Email: info@gametmfg.com

Toll Free: 888-647-5475

www.gametmfg.com

Mailing Address:

7400 Boone Ave N
Brooklyn Park, MN 55428