



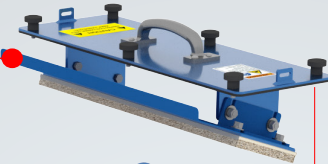
# Series 6800S Automatic Sampler

Diverter Style Bulk Sampler  
Small Spouts & Low Flow Rates

Multiple Lining Options

Suitable for use below  
bulk weighting system

Seal doors remove for easy  
access & inspection



Hazardous Location Use



Access doors open to  
make inspection easy

- Ideal for use with all grains.
- Accommodates spout size from 4" to 16" & flow rates from 1,500 to 20,000 BPH.
- Accessories available to create an integrated FGIS approvable system.

Large access  
door allows for  
maintenance  
access

Leak proof &  
dust proof

Designed to Provide Years of Reliability

**Gamet Manufacturing Inc.**

Email: [info@gametmfg.com](mailto:info@gametmfg.com)

Toll Free: 888-647-5475

[www.gametmfg.com](http://www.gametmfg.com)

**Mailing Address:**

7400 Boone Ave N

Brooklyn Park, MN 55428

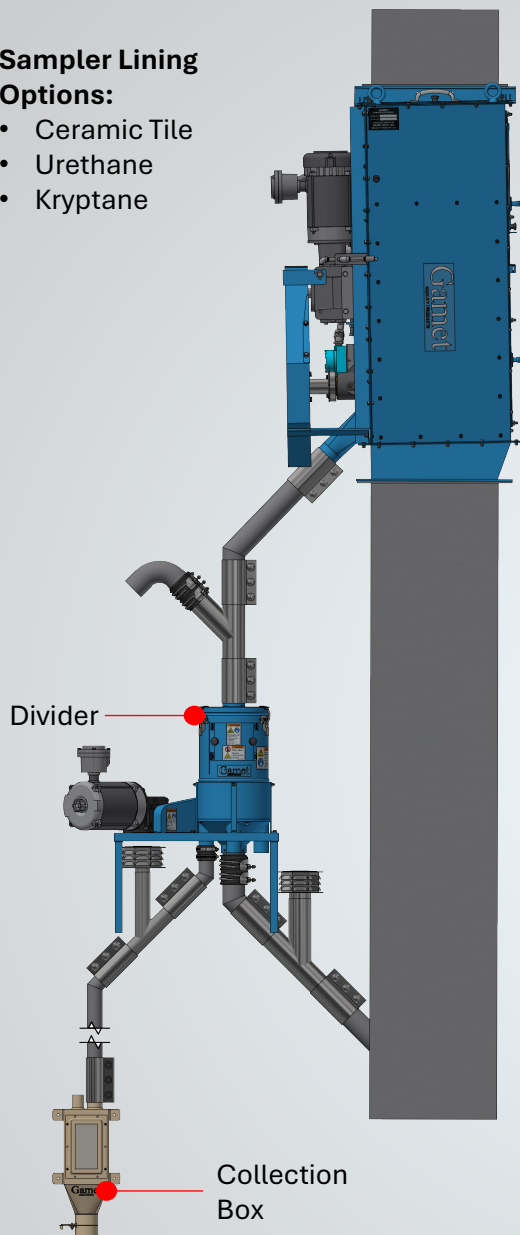
# Series 6800S

Gamet®

## Vertical Application

### Sampler Lining Options:

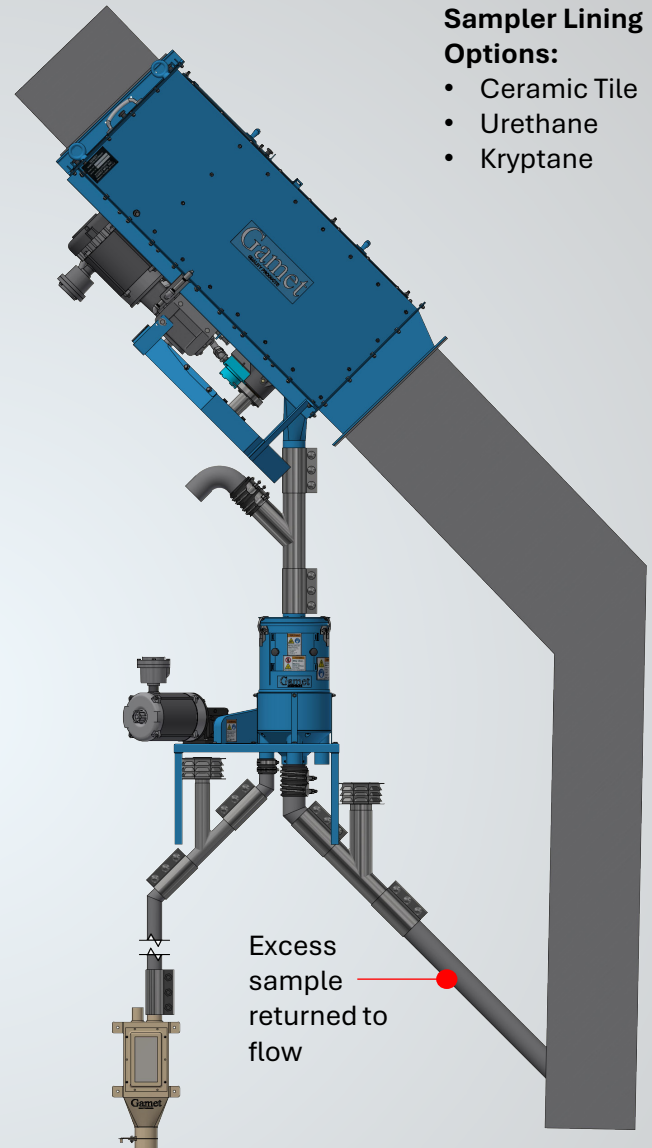
- Ceramic Tile
- Urethane
- Kryptane



## Angular Application

### Sampler Lining Options:

- Ceramic Tile
- Urethane
- Kryptane

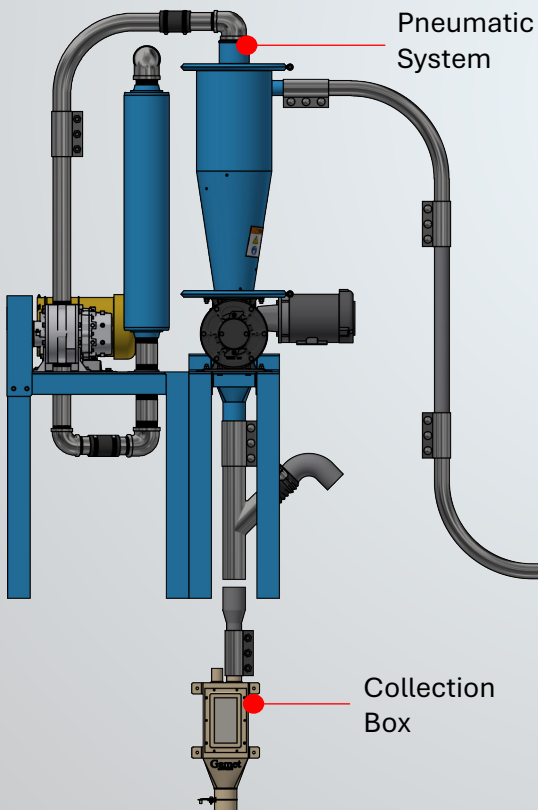


The Gamet 6800S Spout Style Sampling System is ideal for applications that require official sampling grades. This system is designed for low to mid-size flow rates. Uses include rail, barge, or ship loading of grain or grain related products. Our engineers and sales team are available to review your specific needs and help you select the proper equipment and accessories for your application.

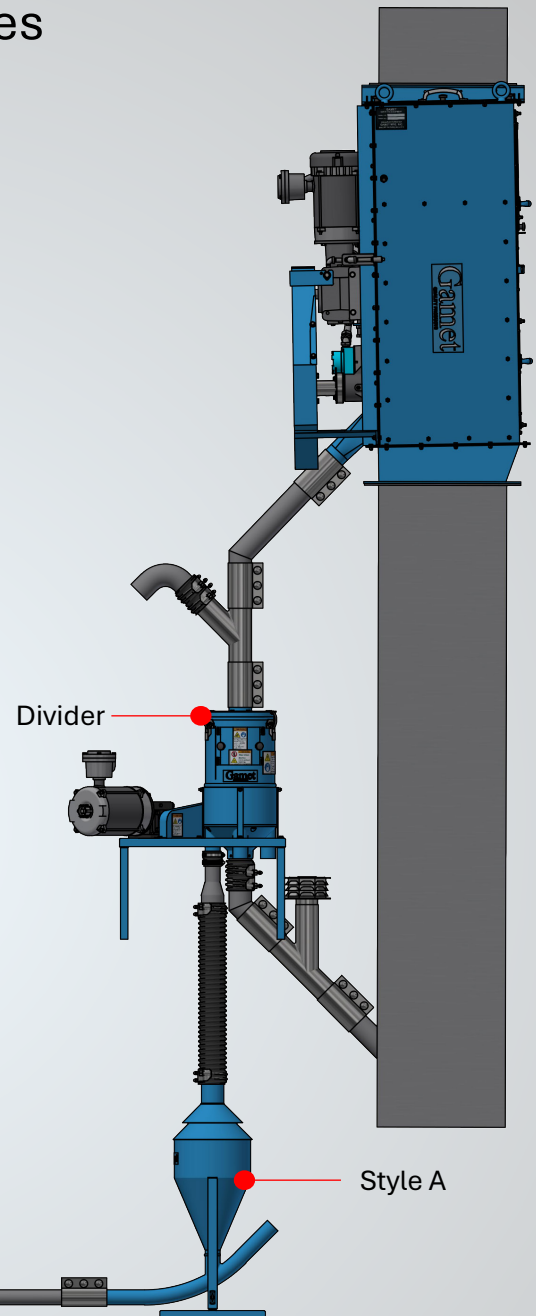
## System Accessories

### Divider

- Up to Four Discharge Spout Available.
- Reduces Sample to 4% of Throughput.
- Suitable for Use with all Grain & Meal Products.



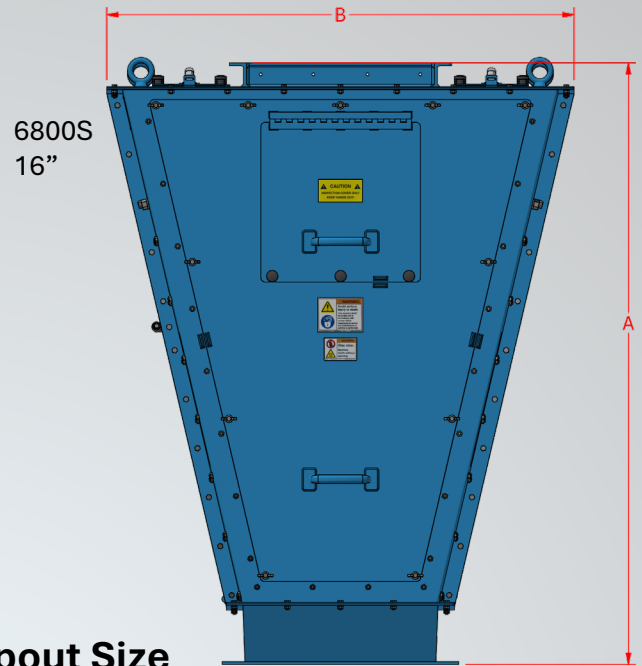
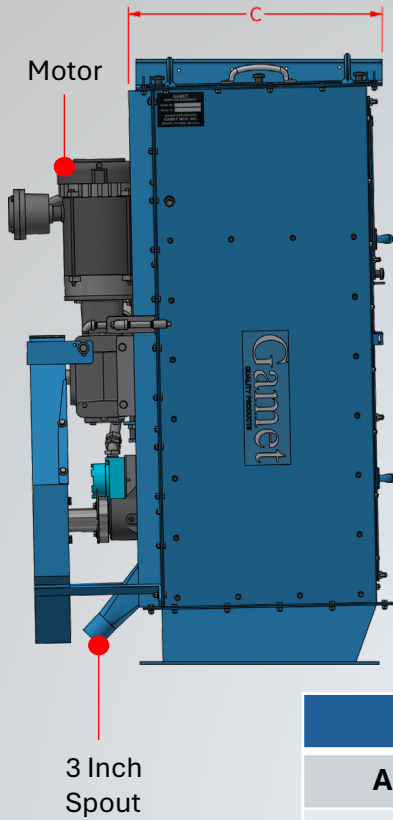
Long Distance  
Conveying



### Pneumatic System

- Convey Product Samples up to 800 ft.
- Variable Frequency Drive Available.
- Suitable for Use with all Grain & Meal Products.

# Series 6800S



## Dimension Data by Spout Size

	5" - 7"	8" - 10"	11" - 13"	14" - 16"
A	33.5"	38.5"	45.5"	52.75"
B	24.5"	30.5"	35"	41"
C	9.5"	12.5"	15.75"	18.75"

## Flow Rates by Spout Size

	5"	6"	7"	8"	9"	10"
Angular TPH	49	71	96	125	159	196
Angular BPH	1750	2520	3430	4480	5670	7000
Vertical TPH	56	81	110	143	181	224
Vertical BPH	2000	2880	3920	5120	6480	8000

	11"	12"	13"	14"	15"	16"
Angular TPH	237	282	331	384	441	502
Angular BPH	8470	10080	11830	13720	15750	17920
Vertical TPH	271	323	379	439	504	573
Vertical BPH	9680	11520	13520	15380	18000	20480

**Proudly  
Made in  
the USA**



Tons per hour (TPH) calculated on density of 48 lbs/cubic foot (Ton = 2,000 lbs)  
Bushels per hour (BPH) calculated at 56 pounds per bushel.

**Gamet Manufacturing Inc.**

Email: [info@gametmfg.com](mailto:info@gametmfg.com)

Toll Free: 888-647-5475

[www.gametmfg.com](http://www.gametmfg.com)

**Mailing Address:**

7400 Boone Ave N

Brooklyn Park, MN 55428