



Series 6800S Automatic Sampler

Diverter Style Bulk Sampler
Small Spouts & Low Flow Rates

Multiple Lining Options

Suitable for use below
bulk weighing system

Access doors open to
make inspection easy

- Ideal for use with all grains.
- Accommodates spout size from 4" to 16" & flow rates from 1,500 to 20,000 BPH.
- Accessories available to create an integrated FGIS approvable system.

Seal doors remove for easy
access & inspection

Hazardous Location Use

Large access
door allows for
maintenance
access

Leak proof &
dust proof

Designed to Provide Years of Reliability

Gamet Manufacturing Inc.

Email: info@gametmfg.com

Toll Free: 888-647-5475

www.gametmfg.com

Mailing Address:

7400 Boone Ave N

Brooklyn Park, MN 55428

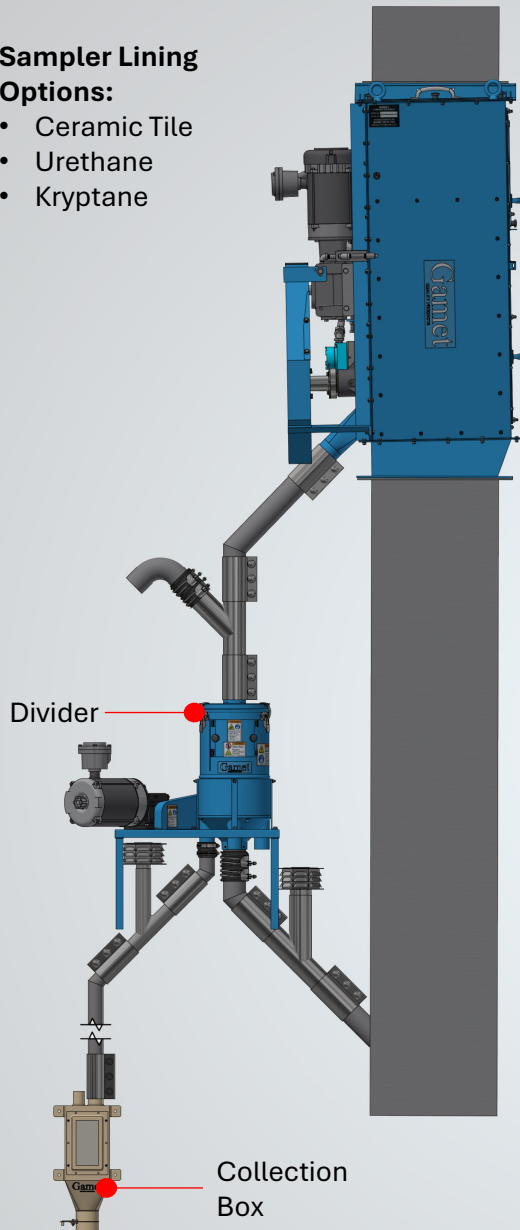
Series 6800S

Gamet®

Vertical Application

Sampler Lining Options:

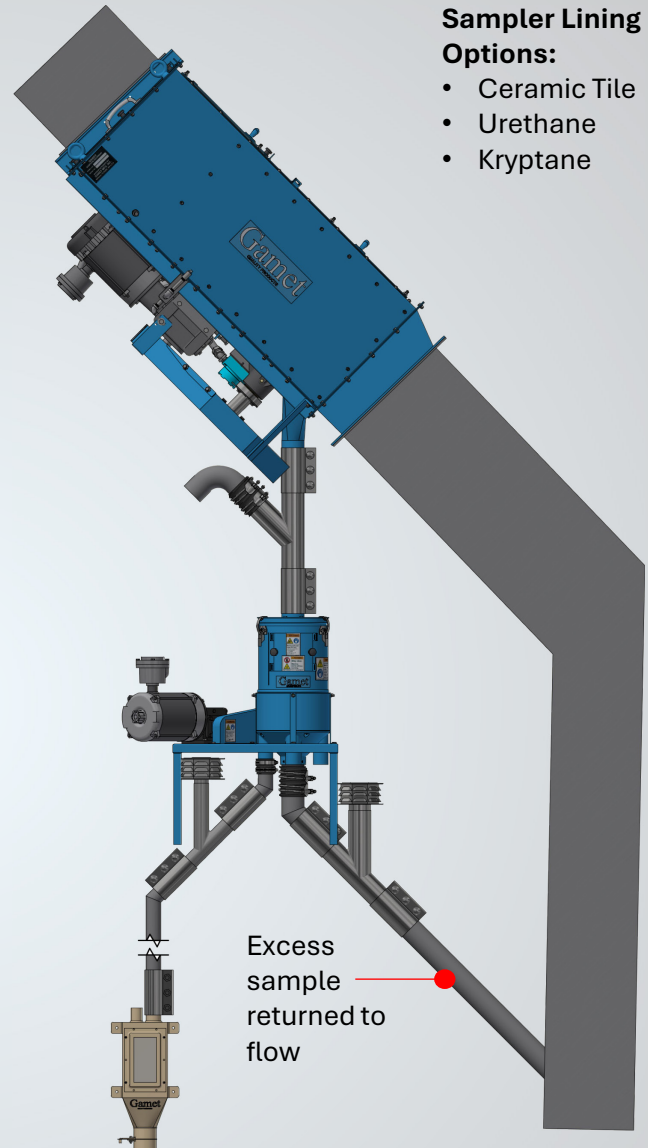
- Ceramic Tile
- Urethane
- Kryptane



Angular Application

Sampler Lining Options:

- Ceramic Tile
- Urethane
- Kryptane



The Gamet 6800S Spout Style Sampling System is ideal for applications that require official sampling grades. This system is designed for low to mid-size flow rates. Uses include rail, barge, or ship loading of grain or grain related products. Our engineers and sales team are available to review your specific needs and help you select the proper equipment and accessories for your application.

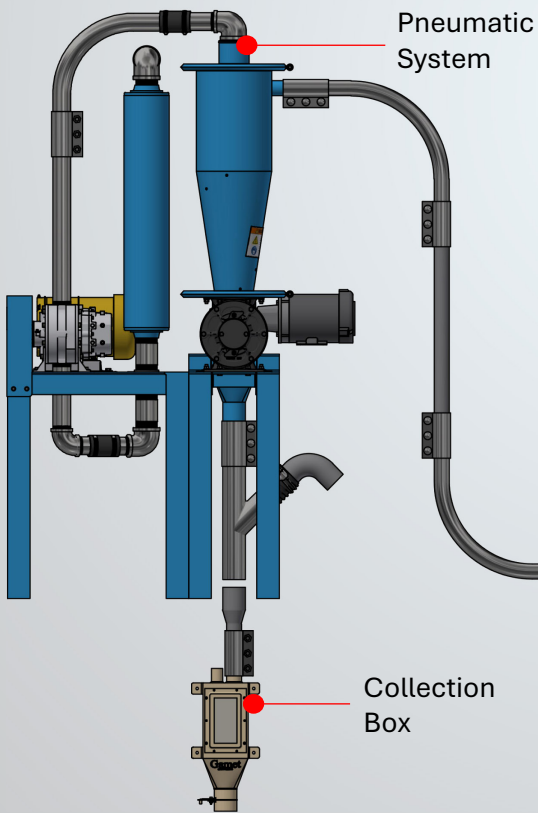


Series 6800S

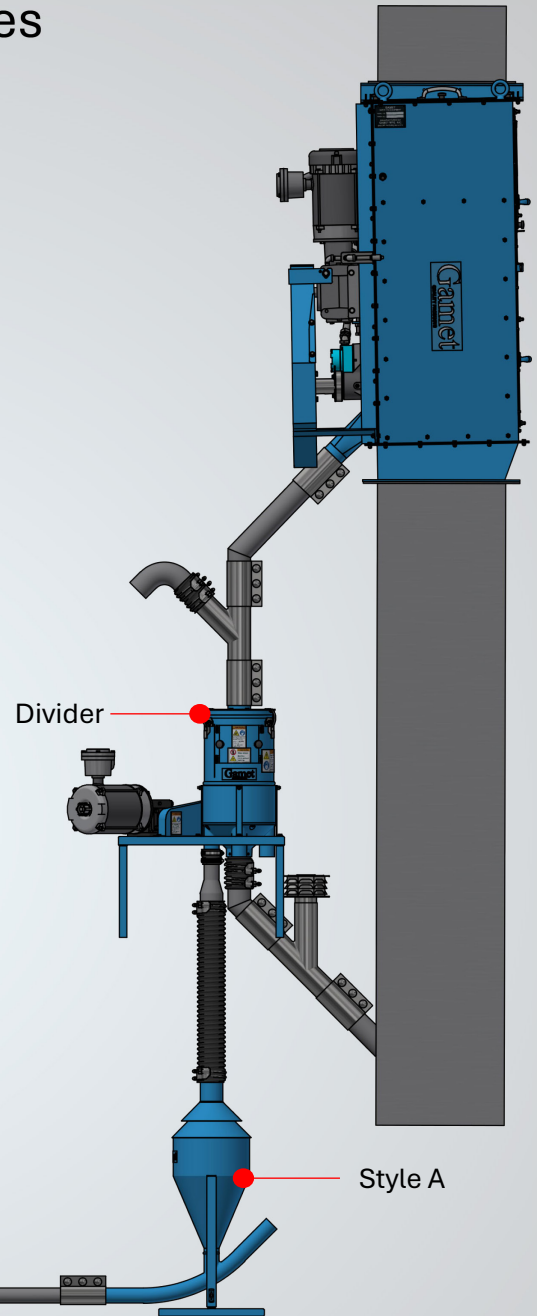
System Accessories

Divider

- Up to Four Discharge Spout Available.
- Reduces Sample to 4% of Throughput.
- Suitable for Use with all Grain & Meal Products.



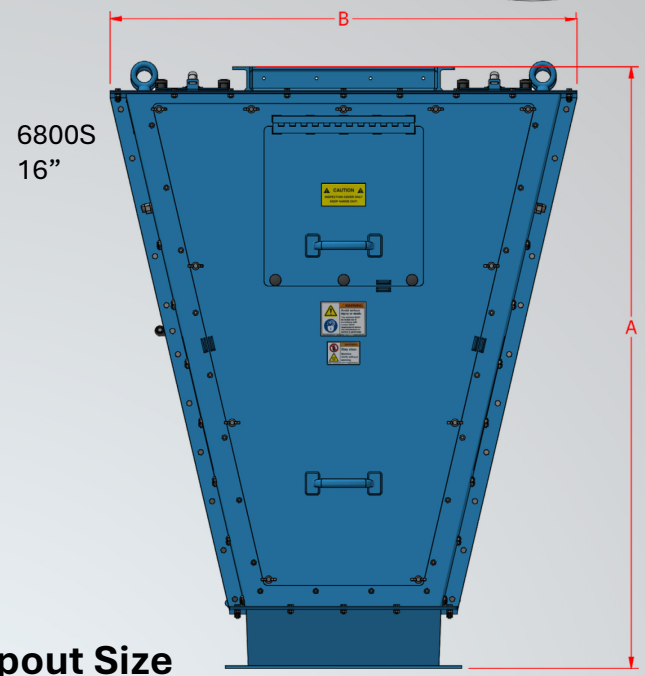
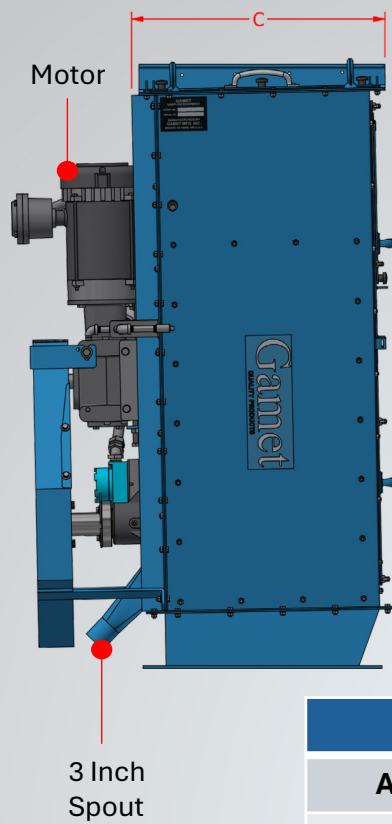
Long Distance
Conveying



Pneumatic System

- Convey Product Samples up to 800 ft.
- Variable Frequency Drive Available.
- Suitable for Use with all Grain & Meal Products.

Series 6800S



Dimension Data by Spout Size

	5" - 7"	8" - 10"	11" - 13"	14" - 16"
A	33.5"	38.5"	45.5"	52.75"
B	24.5"	30.5"	35"	41"
C	9.5"	12.5"	15.75"	18.75"

Flow Rates by Spout Size

	5"	6"	7"	8"	9"	10"
Angular TPH	49	71	96	125	159	196
Angular BPH	1750	2520	3430	4480	5670	7000
Vertical TPH	56	81	110	143	181	224
Vertical BPH	2000	2880	3920	5120	6480	8000

	11"	12"	13"	14"	15"	16"
Angular TPH	237	282	331	384	441	502
Angular BPH	8470	10080	11830	13720	15750	17920
Vertical TPH	271	323	379	439	504	573
Vertical BPH	9680	11520	13520	15380	18000	20480

**Proudly
Made in
the USA**



Tons per hour (TPH) calculated on density of 48 lbs/cubic foot (Ton = 2,000 lbs)
Bushels per hour (BPH) calculated at 56 pounds per bushel.